

① TENTATIVE FILL POINT(S) - APPROXIMATE LOCATION DETERMINED BY CALCULATION. ACTUAL LOCATION TO BE DETERMINED FROM SAMPLING AND/OR FIRST PRODUCTION. FILL LOCATION MAY VARY UP OR DOWN FROM THAT INDICATED.

OPTIONAL:
C.I.D. III DOTS TO APPEAR ON HEEL.

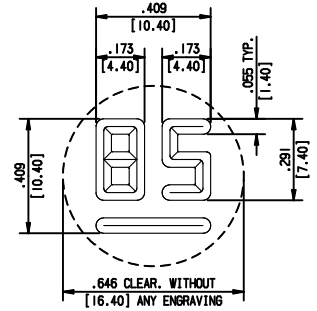
OPTIONAL:
ALPHANUMERIC LETTERING TO APPEAR ON BOTTOM AS SHOWN AND TO BE RAISED .028 [.70] IN GLASS.

BOTTOM PLATE LETTERING TO BE .188 [4.76] TALL.

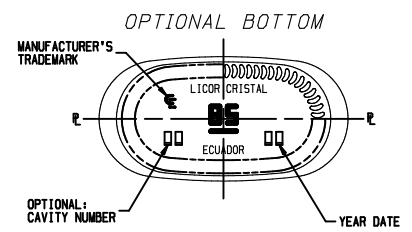
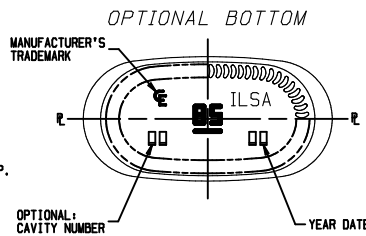
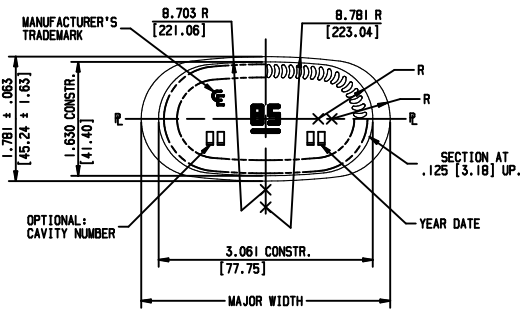
OPTIONAL:
"ILSA" LETTERING TO APPEAR ON BOTTOM AS SHOWN AND TO BE .188 [4.76] TALL.

OPTIONAL:
"LICOR CRISTAL-EQUADOR" LETTERING TO APPEAR ON BOTTOM AS SHOWN AND TO BE .110 [2.79] TALL.

CRESCENT KNURLING TO APPEAR ON BEARING SURFACE.



EXAMPLE OF ALPHANUMERIC DETAIL
SCALE: 4 TO 1



ENHANCED B&B OPERATION ONLY.

-6	ADDED ALPHANUMERICAL NUMBERS AND OPTIONAL BTMS.; ADDED ALPHANUMERICAL DETAIL; ADDED OPTIONAL C.I.D. III DOTS; UPDATED NOTES.	P MEK 25 JAN 02
-5	ADDED 028-0487-RA25 AND CAPACITY CHART; UPDATED NOTES.	C K J H 02 AUG 01
-4	OVERFLOW CAPACITY WAS 13.248 FL. OZ.; THICKNESS WAS 1.785; UPDATED FILL POINTS AND HEAD SPACE PERCENTS.	ELD 116 JAN 01
-3	WT. WAS 9.049 OZ.; O.A.H. WAS 7.156; FINISH WAS 028-A-1620; NECK DIA. WAS 1.031; MAJOR THICKNESS WAS 1.781; THICKNESS AT .125 UP WAS 1.625; UPDATED FILL POINTS.	KDC 07 SEP 00
-2	ADDED MOLD NUMBER; WT. WAS 9.170 OZ.; O.A.H. WAS 7.188; PRIMARY FIN. WAS 028-1620-L01560; REM'D SEC. FIN.; NECK DIA. WAS 1.063; REM'D CAP. CHART; UPDATED FILL POINTS.	KDC 25 JUL 00
-1	NECK DIA. WAS 1.125; MAJOR WIDTH WAS 3.542; WIDTH AT .125 UP WAS 3.047; PRIMARY FIN. WAS 028-1620; SEC. FIN. WAS 028-0487-A; UPDATED FILL POINTS.	ELD 118 JUL 00
REVISIONS		

FINISH	OVERFLOW CAPACITY	WEIGHT	FILL POINTS DOWN		
			HIGH	IDEAL	LOW
028-1620-R044	13.052 fl. oz. ± 0.188 fl. oz. [386.00ml ± 5.55ml]	9.348oz. ± 0.375oz. [265.01g ± 10.63g]	.683 [17.35]	1.331 [33.81]	1.649 [41.88]
028-0487-RA25	13.052 fl. oz. ± 0.188 fl. oz. [386.00ml ± 5.55ml]	9.453oz. ± 0.375oz. [268.00g ± 10.63g]	.729 [18.51]	1.377 [34.98]	1.685 [43.05]

ALL LETTERING TO BE ROUND BOTTOM STYLE, RAISED IN GLASS, UNLESS OTHERWISE NOTED. CAPACITY VALUES BASED ON WATER AT 86°F [20°C]		METRIC SHOWN IN BRACKETS
RATED CAPACITY	12.680 FL. OZ.	[375.00 ml]
OVERFLOW CAPACITY	SEE CHART	
FILL POINT	SEE ABOVE	% HEAD SPACE SEE ABOVE
WEIGHT	SEE CHART	

STOCK LIQUOR	
375 cc	
DESCR. OBLONG	(CRIDES)
INTL. 901-CE-428	CAD LIB. DHEM
DATE: 16 FEB 00	REF. NO. L-40
DRAWN: KDC	CHECKED: _____ APPROVED: 31 JAN 02

 OWENS-BROCKWAY Glass Container Inc. Container Engineering One Steep St. Toledo, Ohio 43666	DRAWING NUMBER
	LAI-38495-6
MOLD NUMBER	
L-4	

NOTICE
INFORMATION CONTAINED HEREIN CONSTITUTES PROPRIETARY CONFIDENTIAL INFORMATION OF OWENS-ILLINOIS, INC. AND IS TO BE ACCEPTED ONLY SUBJECT TO THAT UNDERSTANDING. IT IS TO BE KEPT CONFIDENTIAL AND NOT TO BE COPIED, USED, OR CONTINUED TO OTHERS WITHOUT OWENS-ILLINOIS WRITTEN AUTHORIZATION.